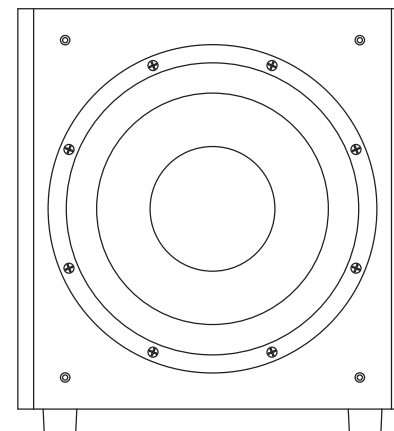




Owner's Manual

**MODEL: W100B
W120B**



ACTIVE SUBWOOFER

Introduction

Congratulations on purchasing this System One subwoofer. Before you connect it to your system and experience the new dimension of sound that a subwoofer adds, please make sure that you read through this manual.

Make sure that you follow each step when installing the subwoofer, and most importantly: follow the safety instructions!

Contents:

Introduction.....	2
Safety Precautions.....	2-4
Subwoofer Controls.....	5
Subwoofer Connect.....	6
Getting Started.....	7
Technical Specifications.....	8
EU Declaration of Conformity (DoC)	9

Important Safety Precautions

For safety reasons please read the following instructions and the enclosed Important Safety Information carefully before attempting to connect your subwoofer unit to the mains.

Warning:

To reduce the risk of fire or electric shock, do not expose this appliance to rain or moisture.

Caution:

Use of controls or adjustments or performance of procedures other than those specified may result in hazardous radiation exposure.



Caution:

To reduce the risk of electric shock, do not remove cover (or back). There are no user-serviceable parts inside. Please refer all servicing to a qualified engineer.

The lightning flash with the arrowhead symbol within an equilateral triangle is intended to alert the user to the presence of uninsulated 'dangerous voltage' within the product's enclosure that may be of sufficient magnitude to constitute a risk of electric shock to persons.



The exclamation point within an equilateral triangle is intended to alert the user to the presence of important operating and maintenance (servicing) instructions in the literature accompanying the appliance.

Important Safety Precautions

Read Instructions - All the safety and operating instructions should be read before the product is operated.

Retain Instructions - The safety and operating instructions should be retained for future reference.

Heed Warnings - All warnings on the product and the operating instructions should be adhered to.

Follow Instructions - All operating and use instructions should be followed.

Cleaning - Unplug this product from the wall outlet before cleaning. Do not use liquid cleaners or aerosol cleaners. Use a damp cloth for cleaning.

Attachments - Do not use attachments not recommended by the product manufacturer as they may cause hazards.

Water and Moisture - Do not use this product near water - for example, near a bath tub, wash bowl or kitchen sink; in a wet basement, or near a swimming pool etc.

Wall or Ceiling Mounting - The product should be mounted to a wall or ceiling only as recommended by the manufacturer.

Accessories - Do not place this product on an unstable surface, stand, bracket or table. The product may fall, causing serious injury to child or adult, and serious damage to the product. Use only a surface, stand bracket or table recommended by the manufacturer, or sold with the product. Any mounting of the product should follow the manufacturer's instructions, and should use a mounting accessory recommended by the manufacturer.

A product and stand combination should be moved with care. Quick stops, excessive force, and uneven surfaces may cause the combination to overturn.



Ventilation - Slots and openings in the cabinet are provided for ventilation and to ensure reliable operation of the product and to protect it from overheating, and these openings must not be blocked or covered. The openings should never be blocked by placing the product on a bed, sofa, rug, or other similar surface. This product should not be placed in a built-in installation such as a bookcase or rack unless proper ventilation is provided or the manufacturer's instructions have been adhered to.

Power Sources - This product should be operated only from the type of power source indicated on the marking label. If you are not sure of the type of power supply to your home, consult your product dealer or local power company. For products intended to operate from battery power, or other sources, refer to the operating instructions.

Grounding or Polarization - In some countries this product may be equipped with a polarized alternating-current line plug (a plug having one pin wider than the other). This plug will fit into the power outlet only one way. This is a safety feature. If you are unable to insert the plug into the outlet, try reversing the plug. If the plug still does not fit, contact your electrician to replace your obsolete outlet. Do not defeat the safety purpose of the polarized plug.

Important Safety Precautions

Alternatively, if this product is equipped with a three-wire grounding-type plug, a plug with a third (grounding) pin, it will only fit into a grounding-type power outlet. This is a safety feature. If the plug does not fit, contact your electrician to replace your obsolete outlet. Do not defeat the safety purpose of the grounding-type plug.

Power-Cord Protection - Power supply cords should be routed so that they are not likely to be walked on or pinched by items placed upon or against them, paying particular attention to cords at plugs, convenience receptacles, and point where they exit from the product.

Protective Attachment Plug - The product is equipped with an attachment plug having overload protection. This is a safety feature. See Owners' Manual for replacement or resetting of protective device. If replacement of the plug is required, be sure the service technician has used a replacement plug specified by the manufacturer that has the same overload protection as the original plug.

Lightning - For added protection for this product during a lightning storm, or when it is left unattended and unused for long periods of time, unplug it from the wall outlet and disconnect the antenna or cable system. This will prevent damage to the product due to lightning and power-line surges.

Overloading - Do not overload wall outlets, extension cords, or integral convenience receptacles as this can result in a risk of fire or electric shock.

Object and Liquid Entry - Never push objects of any kind into this product through openings as they may touch dangerous voltage points or short-out parts that could result in a fire or electric shock. Never spill liquid of any kind on the product.

Servicing - Do not attempt to service this product yourself as opening or removing covers may expose you to dangerous voltage or other hazards. Refer all servicing to qualified service personnel.

Damage Requiring Service - Unplug this product from the wall outlet and refer servicing to qualified service personnel under the following conditions:

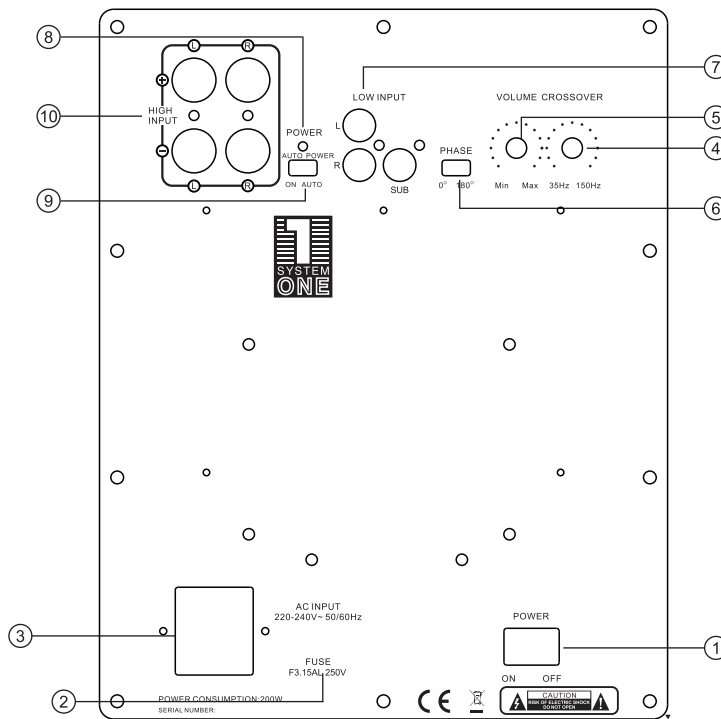
- a) When the power-supply cord or plug is damaged.
- b) If liquid has been spilled, or objects have fallen onto the product.
- c) If the product has been exposed to rain or water.
- d) If the product does not operate normally by following the operating instructions. Adjust only those controls that are covered by the operating instructions as an improper adjustment of other controls may result in damage and will often require extensive work by a qualified technician to restore the product to its normal operation.
- e) If the product has been dropped or damaged in any way.
- f) When the product exhibits a distinct change in performance
- this indicates a need for service.

Replacement Parts - When replacement parts are required, be sure the service technician has used replacement parts specified by the manufacturer or have the same characteristics as the original part. Unauthorised substitutions may result in fire, electric shock, or other hazards.

Safety Checks - Upon completion of any service or repairs to this product, ask the service technician to perform safety checks to determine that the product is in proper operating condition.

Heat - The product should be situated away from heat sources such as radiators, heat registers, stoves, or other products (including amplifiers) that produce heat.

Subwoofer Controls

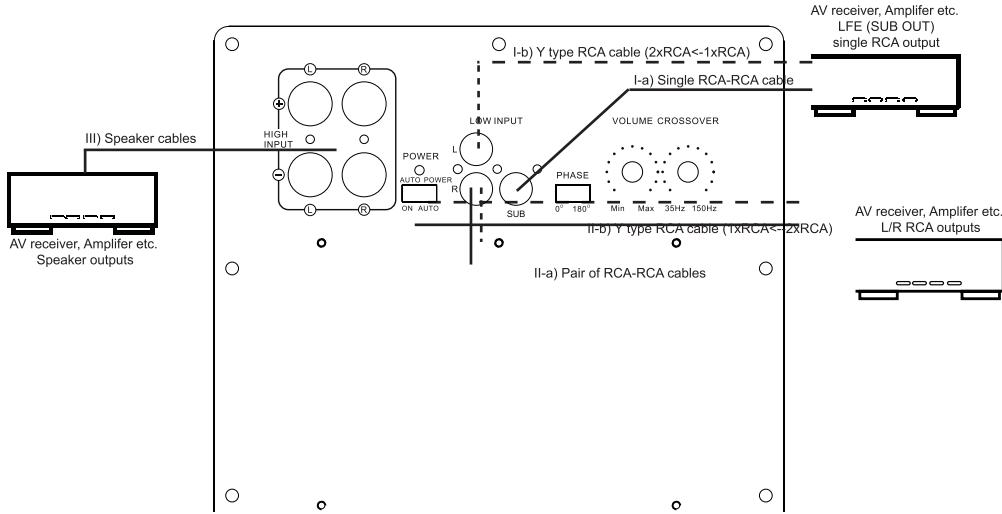


Rear Panel:

1. POWER Switch (ON and OFF)
2. FUSE
Note! A blown fuse should be only exchanged for exactly the same type as indicated on the rear subwoofer panel. The Power Cable should be disconnected!
3. POWER Cable Input
4. CROSSOVER Control
5. VOLUME Control
6. PHASE Switch
7. LOW INPUT Left/Right and LFE
8. POWER Status LED
9. AUTO POWER Switch (ON and AUTO)
10. HIGH LEVEL INPUT Connectors (Left and Right)

Subwoofer connections

1. Make sure that the subwoofer is turned of (the POWER Switch is in the OFF position and the Power Cable is removed).
2. Make sure that your audio equipment (amplifier/preamplifier/AV receiver) is turned of.
3. Turn the VOLUME regulator to MIN (max counter clockwise).
4. Choose one of the following connection methods:



Getting Started

I. CONNECT USING LFE(SUB OUT) SUBWOOFER OUTPUT

This connection is recommended if your audio equipment is equipped with a single filtered RCA subwoofer output (usually marked as LFE, SUB OUT, SUBWOOFER etc.).

There are 2 options of connection:

- a) Using a single RCA subwoofer cable - connect the LFE output with the SUB low level input on the rear of the subwoofer.
- b) Using an Y-type subwoofer cable (1xRCA to 2xRCA) - connect the 1xRCA plug to the LFE output and the 2xRCA plugs to the L and R low inputs on the rear of the subwoofer.

Note! The Y type connection increases the bass output of the subwoofer by a few decibels.

II. CONNECT USING STEREO RCA OUTPUT (L/R)

If your audio equipment is not equipped with a filtered LFE(SUB OUT) subwoofer output then you can use regular stereo RCA outputs (non-filtered).

There are 2 options of connection:

- a) Using a pair of RCA subwoofer cable - connect the L/R RCA outputs of your audio equipment to the L and R low inputs on the rear of the subwoofer.
- b) Using an Y-type subwoofer cable (1xRCA to 2xRCA) - connect the 2xRCA plugs to the L/R RCA outputs of your audio equipment and the 1xRCA plug to the L or R low input on the rear of the subwoofer.

III. CONNECT USING SPEAKER OUTPUTS

You can use regular speaker cables to connect the subwoofer with your audio equipment – this process is the same as connecting basic stereo speakers.

Using the speaker cables connect speaker output connectors located on your audio equipment to the HIGH INPUT connectors on the rear of the subwoofer (Left with Left, Right with Right).

Pay attention to connecting the polarity of the audio equipment correctly with the subwoofer in each speaker connector group (the subwoofer should be connected RED + with RED + audio equipment connector, BLACK – with BLACK – audio equipment connector).

Technical Specifications

Model	W100B	W120B
Type	Active vented subwoofer	Active vented subwoofer
Speaker Driver	10" (25cm) paper cone with foam surround	12" (30cm) paper cone with foam surround
Frequency Response	35Hz-150Hz	30Hz-150Hz
RCA input	Right, Left, LFE	Right, Left, LFE
High level input	Right, Left	Right, Left
Sensitivity Line in RCA	60mV (for max output)	60mV (for max output)
Sensitivity Line in High level	5V (for max output)	5V (for max output)
Crossover Frequency	Variable 35Hz-150Hz	Variable 35Hz-150Hz
Phase adjustment	Phase inverter 0/180	Phase inverter 0/180
Power modes	Autostandby on and auto	Autostandby on and auto
Amplifier Power	Class AB 150W RMS, 300W Dynamic	Class AB 150W RMS, 300W Dynamic
Mains Voltage	220-240V ~50/60Hz	220-240V ~50/60Hz
Power Consumption	200W	200W
Standby Power Consumption	<0.5W	<0.5W
Size (H x W x D) mm	360 x 315 x 408mm	381 x 370 x 429mm
Size (H x W x D) inches	14.2 x 12.4 x 16.1 inches	15 x 14.6 x 16.9 inches
Net weight	19.2kg / 42lbs	22.6kg / 50lbs

EU Declaration of Conformity (DoC)

Hereby we,

Name of manufacturer: Winn Scandinavia AB

Address: Adolfsbergsvägen 6, 70227 Örebro, Sweden

Declare that this DoC is issued under our sole responsibility and that this product:

Product description: Active subwoofer

Type designation(s): W100B,W120B

Trademark: System One

Object of declaration:



Signed for and on behalf of:
Winn Scandinavia AB



Gustav Winberg, CEO
Örebro, 2020-04-15

is in conformity with the relevant Union harmonization legislation:

LVD Directive 2014/35/EU, EMC Directive 2014/30/EU

RoHS Directive 2011/65/EU, GPSD Directive 2001/95/EC

with reference to the following standards applied:

EN 55020:2007, EN 55032:2015, EN 55035:2012

EN 61000-3-2:2014, EN 61000-3-3:2013

EN 50332:2013, EN 50564, EN 60065:2014

IEC 62368-1:2014 +A11:2017, IEC 62321:2013

Accessories: Manual, rubber feet and power cord.


winn scandinavia



9