



Owner's Manual

MODEL: PBF26B



PORTABLE PARTY BOX SPEAKER


Introduction


Thank you for purchasing this portable Party Box Speaker from System One.

Before you start using the product, please read through this manual and the safety instructions. Make sure that you follow each step when using the product and follow the Important Safety Precautions.

Contents:

Introduction.....	2
Safety Precautions	2-4
Battery & Charging	5
Speaker Remote Control	5
Speaker Controls.....	6
Using your Party Box Speaker	7
Technical Specifications	8

 Items marked with the "Crisscrossed wheeled bin" are not allowed to be disposed of together with usual household waste. Electrical and electronic products should be disposed of in special reception centers, equipped for recycling such products and components.

 This product has been granted with the CE certification mark to show that the product follows the health, safety, and environmental protection standards for products sold within the European Economic Area (EEA).

 **winn**
scandinavia

www.winnscandinavia.com
info@winnscandinavia.com

Important Safety Precautions

For safety reasons please read the following instructions and the enclosed Important Safety Precautions carefully before starting your Party Box speaker.

Warning:

To reduce the risk of fire or electric shock, do not expose this appliance to rain or moisture.

Caution:

Use of controls or adjustments or performance of procedures other than those specified may result in hazardous radiation exposure.



Caution:

No user serviceable parts are included inside this product. Please refer all servicing to a qualified engineer.

The lightning flash with the arrowhead symbol within an equilateral triangle is intended to alert the user to the presence of uninsulated 'dangerous voltage' within the product's enclosure that may be of sufficient magnitude to constitute a risk of electric shock to people.



The exclamation mark within an equilateral triangle is meant to alert the user to the presence of important operating and maintenance (servicing) instructions in writing accompanying the appliance.

Warranty and maintenance:

This product is covered by warranty, depending on the conditions in the country where it is sold. If the speaker is returned for service, please include the original dated receipt (or a copy) with the product.

Important Safety Precautions

Read Instructions - All the safety and operating instructions should be read before the product is operated.

Retain Instructions - The safety and operating instructions should be retained for future reference.

Heed Warnings - All warnings on the product and the operating instructions should be adhered to.

Follow Instructions - All operating and use instructions should be followed.

Cleaning - Unplug this product from the wall outlet before cleaning. Do not use liquid cleaners or aerosol cleaners. Use a damp cloth for cleaning.

Attachments - Do not use attachments not recommended by the product manufacturer as they may cause hazards.

Water and Moisture - Do not use this product near water - for example, near a bath tub, wash bowl or kitchen sink; in a wet basement, or near a swimming pool etc.

Placement - Do not place this product on an unstable surface, stand, bracket or table. The product may fall, causing serious injury to child or adult, and serious damage to the product. Use only a surface, stand bracket or table recommended by the manufacturer, or sold with the product. Any mounting of the product should follow the manufacturer's instructions, and should use a mounting accessory recommended by the manufacturer.

A product and stand combination should be moved with care. Quick stops, excessive force, and uneven surfaces may cause the combination to overturn.



Ventilation - Slots and openings in the cabinet are provided for ventilation and to ensure reliable operation of the product and to protect it from overheating, and these openings must not be blocked or covered. The openings should never be blocked by placing the product on a bed, sofa, rug, or other similar surface. This product should not be placed in a built-in installation such as a bookcase or rack unless proper ventilation is provided or the manufacturer's instructions have been adhered to.

Power Sources - This product should be operated only from the type of power source indicated on the marking label. If you are not sure of the type of power supply to your home, consult your product dealer or local power company. For products intended to operate from battery power, or other sources, refer to the operating instructions.

Avoid direct sunlight - This product should not be used in direct sunlight, it should be far away from heat sources such as a stove or heating radiators. The speaker should be far away from dustiness, high temperature, hard light, strong magnetism.

Important Safety Precautions

Power-Cord Protection - Power supply cords should be routed so that they are not likely to be walked on or pinched by items placed upon or against them, paying particular attention to cords and plugs and where they exit from the product. Please do not put any weight on the power cord. Do not pull the power cord with excessive strength.

Lightning - For added protection for this product during a lightning storm, or when it is left unattended and unused for long periods of time, unplug it from the wall outlet. This will prevent damage to the product due to lightning and power-line surges.

Overloading - Do not overload wall outlets, extension cords, or integral convenience receptacles as this can result in a risk of fire or electric shock.

Object and Liquid Entry - Never push objects of any kind into this product through openings as they may touch dangerous voltage points or short-out parts that could result in a fire or electric shock. Never spill liquid of any kind on the product.

Servicing - Do not attempt to service this product yourself as opening or removing covers may expose you to dangerous voltage or other hazards. Refer all servicing to qualified service personnel.

Damage Requiring Service - Unplug this product from the wall outlet and refer servicing to qualified service personnel under the following conditions:

- a) When the power-adaptor cord or plug is damaged
- b) If liquid has been spilled, or objects have fallen onto the product.
- c) If the product has been exposed to rain or water.
- d) If the product does not operate normally by following the operating instructions. Adjust only those controls that are covered by the operating instructions as an improper adjustment of other controls may result in damage and will often require extensive work by a qualified technician to restore the product to its normal operation.
- e) If the product has been dropped or damaged in any way.
- f) When the product exhibits a distinct change in performance - this indicates a need for service.

Replacement Parts - When replacement parts are required, be sure the service technician has used replacement parts specified by the manufacturer or have the same characteristics as the original part. Unauthorised substitutions may result in fire, electric shock, or other hazards.

Safety Checks - Upon completion of any service or repairs to this product, ask the service technician to perform safety checks to determine that the product is in proper operating condition.

Heat - The product should be situated away from heat sources such as radiators, heat registers, stoves, or other products that produce heat.

Battery & Charging

This product has a built-in battery. A fully charged battery lasts up to 7 hours depending on product usage. While charging the battery the LED indicator in the front panel shows a red light, when the battery is fully charged the LED indicator switches to green. **The PBF26B Party Box Speaker does not support playing music while charging.**

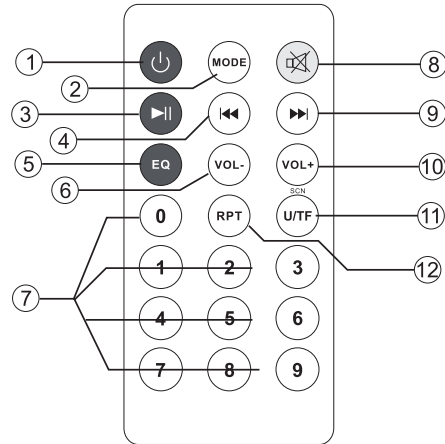
Make sure to charge the battery before using the Party Box Speaker. Charging time is 8 hours. More charging time may damage the battery and can significantly reduce its lifetime.

There is a built-in intelligent power circuit that automatically switches from battery usage when connecting the product to an electrical outlet. The battery will charge simultaneously and the same intelligent power circuit will switch the power source back to the battery when the product is disconnected from the electrical outlet.

When using the unit in battery mode, if the battery power runs low, turn the product off with the front panel power switch before the battery fully runs out and then charge the battery within 24 hours to avoid permanently damaging the battery.

If the product is not in use during a long period of time, please make sure to charge the battery every 6 months to prolong the battery life. The battery time shortens due to excessive charging and over time. When a fully charged battery life seems short or if the battery is no longer rechargeable, please contact your local System One dealer to purchase a dedicated replacement battery.

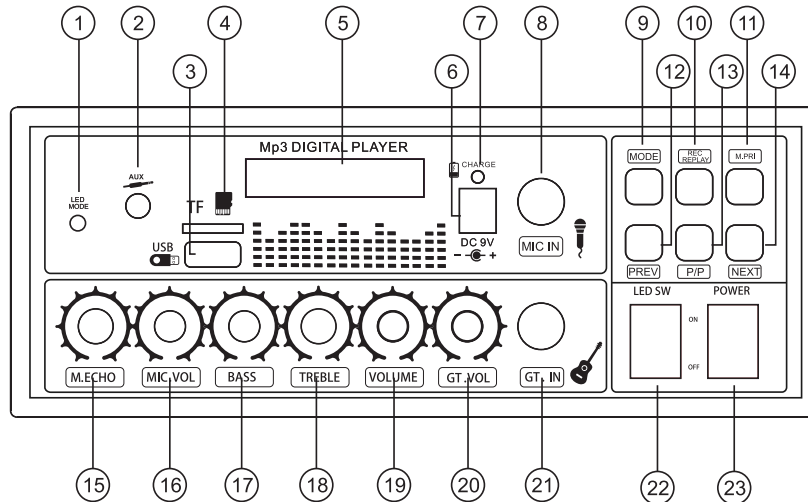
Speaker Remote Control



1. Standby key
2. Mode key
(input signal source)
3. Play / pause key
4. FM ch- / previous key
5. EQ mode key
6. Volume decrease key

7. Tracks select key
8. Mute key
9. FM ch+ / next key
10. Volume increase key
11. MP3 mode for USB /
Micro SD card switching
12. Repeat key

PBF260B Portable Party Box Speaker controls



1. Sound controlled LED switch
2. Aux in (3,5mm)
3. USB jack
4. Micro SD/TF card jack
5. Display screen
6. External power adapter connector
(only use the original adapter)
7. Charge display

8. Microphone input
9. Mode key (input signal source)
10. Recording
11. Microphone priority
12. Previous & FM channel -
13. Play/Pause & FM scan key
True Wireless Stereo (hold 5 sec)
14. Next & FM channel +

15. Microphone Echo
16. Microphone volume control
17. Bass control
18. Treble control
19. Volume control
20. Guitar volume control
21. Guitar input
22. Sound controlled LED switch
23. Power switch

Using your Portable Party Box Speaker

Package includes:

1x Portable Party Box Speaker	1x Speaker Carrying Strap
1x Power Adaptor	1x User Manual
1x Wireless Microphone	2x AA Batteries
1x Remote Control	1x CR2025 Battery

Connecting your Bluetooth device to the Portable Party Box Speaker:

1. Make sure that Bluetooth is enabled on your mobile device. Turn the Party Box Speaker ON and press "MODE" to switch to Bluetooth mode, the BEEP indicates searching.
2. Scan for local Bluetooth devices with your mobile device and select the "PBF26B". The Portable Party Box Speaker indicates a successful Bluetooth connection with a notification tone.
3. Select your favourite music service on your Bluetooth device and enjoy!

Re-connecting your Bluetooth device:

Turn the Party Box Speaker ON and press "MODE" to switch to Bluetooth mode. If Bluetooth is enabled on your previously connected device the units will connect automatically and confirm the connection with a notification tone.

Using the AUX input:

Turn the Party Box Speaker ON and press "MODE" to switch to AUX mode. Connect any compatible device to the 3,5mm AUX connection located on the front panel. To avoid damaging the product, please make sure that the volume is turned down at the moment of connection with an external source.

Using a USB memory stick or Micro SD/TF card:

Turn the Party Box Speaker ON. Plug in the USB stick or Micro SD/TF card, music playback will start automatically. Use the remote control to switch to MP3 mode for USB / Micro SD/TF card.

Using the REC function:

While a USB memory stick is connected you can record sound from the AUX, the wireless microphone and the FM radio. To record press and hold the "REC" button a few seconds, to stop recording just press the "REC" button once.

Using the wireless microphone:

Turning the wireless microphone on while the speaker is active will automatically connect it to the Party Box Speaker. Enabling the **Microphone Priority function** automatically lowers the music when speaking in to the microphone, the volume automatically recovers when you stop talking in the microphone.

Using the FM tuner:

Turn the Portable Party Box Speaker ON and press "MODE" to switch to FM mode. Use "SCAN" to search for a requested radio station.

True Wireless Stereo (TWS) Technology:

The TWS technology allows you to connect a pair of System One PBF26B Party Box Speakers and use them in stereo (Right + Left channel). Changing volume, play, pause and other functions simultaneously affect both speakers.

Using the TWS Technology:

1. Turn both Party Box Speakers ON and press "MODE" to switch to Bluetooth mode.
2. Press and hold the TWS button on one of the speakers until you hear a BEEP, this will become the main speaker (left channel), it will automatically start searching for the second speaker (right channel). When a connection is established this will be confirmed with a notification tone.
3. Connect your Bluetooth enabled device accordingly.

To disconnect the second speaker, press and hold the TWS button on any of the PBF26B Portable Party Box Speakers.

Technical Specifications

Model	PBF26B		
Type	Portable Party Box Speaker	Size (H x W x D) mm	493x244x256mm
RMS Power Output	60W	Gross Weight	5,8kg
Impedance	4Ω	Power Adaptor	9V/1,5A, 110V-240V, 50/60Hz
Sensitivity	86±3dB	Power Battery	7.4V/4000MAH Lithium battery
Frequency Response	60-18KHz	Remote Battery	1xCR2025
S/N Ratio	≥70dB	Mic Battery	2xAA
Distortion	≤0.7% (1W)	Battery Charging Time	8 hours
Drive Unit	1" + 2x6"	Battery Playtime (+ LED)	6h (50% volume)
Bluetooth Name	PBF26B	Battery Playtime (- LED)	7h (50% volume)
Wireless Mic. Freq.	261.8 MHz		
FM Frequency	87.50-108.00 MHz		