

Arylic

LP10

User's Manual



Wireless Music Streamer



Table of Contents

1. Introduction.....	01
2. Instructions.....	01
3. What's in the box	02
4. Device Interface.....	03
5. Remote Controller	04
6. Connection Diagram.....	05
7. APP Download	06
8. Network Setup	07
9. Connect via Bluetooth	07
10. Streaming audio playback	07
11. Specification	09
12. Legal Notice	10

1. Introduction

LP10 is a wireless streaming pre-amplifier with multiple streaming options, including AirPlay, Google Cast and Spotify connect, which enables wireless music control and multiroom/multizone streaming. It features both analog input and output, high-definition digital output and expandable to control ambiance smart light to sync the light effect with music beats. It is a robust streaming solution to add wireless streaming to your existing home audio system.

2. Instructions

Please read the following instructions carefully before setting up the LP10 Music Streamer.

- Be careful not to drop the device to avoid internal damage.
- Do not disassemble the device.
- Keep magnetic materials away from the device to prevent any damage to data.
- Do not expose device to oil, dust, water, high humidity or smoke.
- When cleaning, use only a soft cloth. Keep out of contact with water or other liquids.
- All servicing must be performed by a qualified representative or the warranty will be voided.
- Unplug power cord during severe lightning storms or when unused for a long period of time.
- Do not turn off power during firmware update, the device might brick.

Positioning

- Place your device on a flat, horizontal, and stable surface.
- Keep away from heat sources, such as radiators.

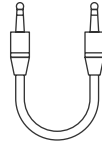
3. What's in the box



Main Unit x1



User's Manual x1



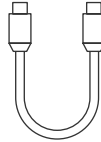
Aux 3.5mm Cable x1



2-1 RCA Cable x1



Power Adapter x1

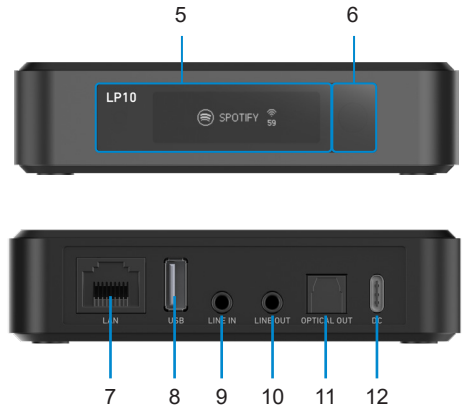
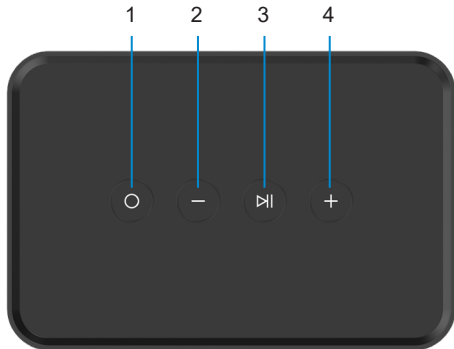


USB Type-C
Cable x1



Remote Control x1

4. Device Interface



1. Mode Button:

Short Press: Switch input mode
Long Press: Power on/off

2. Vol - Button:

Short Press: Decrease volume
Long Press: Play previous track

3. Play/Pause button:

Short Press: Play or Pause music
Long Press: Disconnect current WiFi/BT connection

4. Vol + Button:

Short Press: Increase volume
Long Press: Play next track

5. Display Panel: Display current mode

6. IR Receiver: For remote controller

7. LAN: Wired connection to router

8. USB: To connect USB pen drive (1024 tracks at most)

9. Line In: For external analog audio sources connection

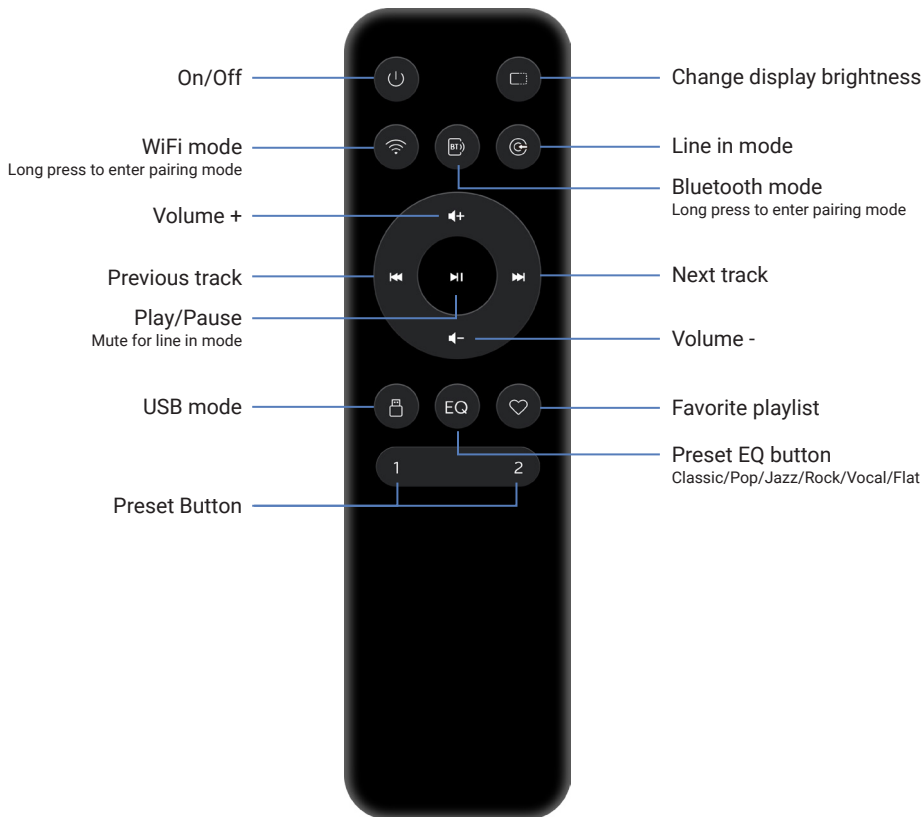
10. Line Out: Provide analog audio to another device

11. Optical Out: Provide digital audio to another device

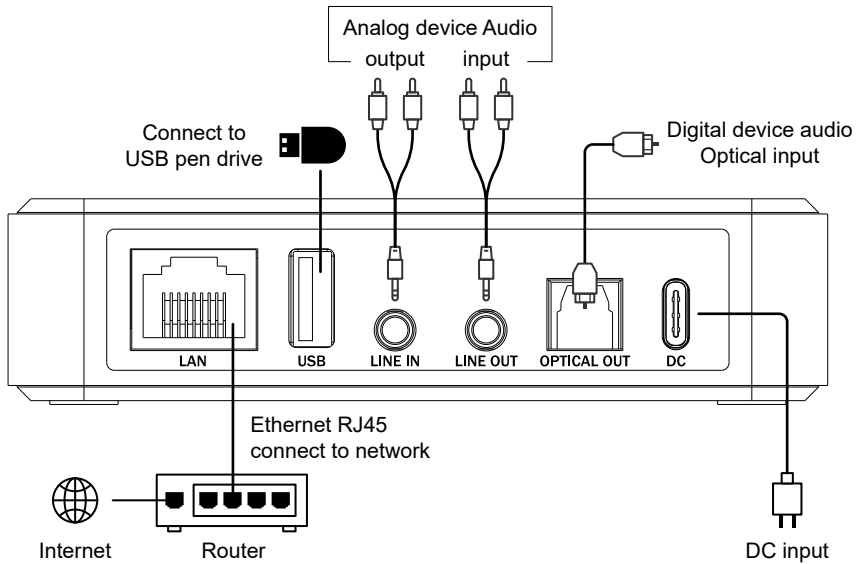
12. USB Type-C: 5V/2A DC input

* Long Press Vol - & Vol +: Factory Reset

5. Remote Controller



6. Connection Diagram



7. APP Download

Download the Go Control application from App Store for iOS based devices and Google Play Store for Android based devices.



Features:

1. Manage multiple devices in one APP
2. Setup WiFi connection
3. Change audio input mode
4. Playback control



8. Network Setup

By Go Control APP:

1. First press and hold both Vol + & Vol – button.
2. Turn on both Bluetooth and GPS on your mobile and open the APP.
3. Wait for the APP to detect your device and click confirm when it asked for configuration.
4. A list of available routers will show, scroll through the list to find your home router and select it.
5. Enter the password for your router if there is one.
6. Once connected, you will see the device shows in the APP.

By LAN:

You can connect a RJ45 cable to the Lan port of the device with your router.
After a few seconds, the device will connect to your home network.

9. Connect via Bluetooth

To use Bluetooth, change mode to Bluetooth mode by clicking the device mode button or the BT button on the remote controller, then find Bluetooth device Arylic LP10 XXXX from your mobile Bluetooth settings and pair it.

10. Streaming audio playback

Google Cast:

Make sure your playback device is on the same network as your device.

From any Google Cast supported App, you can find the Google Cast symbol, if it is on the same network as your device.

Simply press the logo and choose the device name.



Apple AirPlay:

With Apple AirPlay, you can enjoy your favorite audio content, such as music or podcasts, on your home audio system and speakers in any room - with a tap or by just asking Siri - right from your iPhone, iPad, HomePod, HomePod mini, or Apple TV. Play a song in the living room and kitchen at the same time or adjust the volume in any room, all in sync.



TIDAL Connect

Connect your device to your WiFi network.

Open up the TIDAL app on your phone, tablet using the same WiFi network.

Select a song and select Devices Available.

Select your device and start listening.



Spotify Connect:

Use your phone, tablet or computer as a remote control for Spotify.

Go to spotify.com/connect to learn how.

The Spotify Software is subject to third party licenses found here: www.spotify.com/connect/third-party-licenses



11. Specification

Connectivity	Wireless Network	Dual Band 802.11ac 2.4GHz/5GHz
	Ethernet	RJ45 single 10/100M
	Bluetooth	5.0
	Bluetooth Distance	15M
Audio Output	Analog 3.5mm mini jack	1Vrms
	Digital Optical port	Up to 24bit/192kHz
Audio Input	Analog 3.5mm mini jack	
Display Panel	OLED display panel	0.91”
Control Buttons	Touch Sensor buttons	Mode, Vol-, Play/Pause, Vol+
Power Input	USB Type-C port	5V-2A
Extension Port	USB Type-A port	USB Disk drive playback
Streaming Protocols	Google Cast, AirPlay, Tidal Connect, Spotify Connect	
Dimensions	108x72x26.6mm	

12. Legal Notice

FCC Statement:

Federal Communication Commission (FCC) Radiation Exposure Statement When using the product, maintain a distance of 20cm from the body to ensure compliance with RF exposure requirements. This device complies with part 15 of the FCC rules. Operation is subject to the following two conditions: (1) this device may not cause harmful interference, and (2) this device must accept any interference received, including interference that may cause undesired operation.

NOTE: The manufacturer is not responsible for any radio or TV interference caused by unauthorized modifications or changes to this equipment. Such modifications or changes could void the user's authority to operate the equipment.

NOTE: This equipment has been tested and found to comply with the limits for a Class B digital device, pursuant to part 15 of the FCC Rules. These limits are designed to provide reasonable protection against harmful interference in a residential installation. This equipment generates uses and can radiate radio frequency energy and, if not installed and used in accordance with the instructions, may cause harmful interference to radio communications. However, there is no guarantee that interference will not occur in a particular installation. If this equipment does cause harmful interference to radio or television reception, which can be determined by turning the equipment off and on, the user is encouraged to try to correct the interference by one or more of the following measures:

- Reorient or relocate the receiving antenna.
- Increase the separation between the equipment and receiver.
- Connect the equipment into an outlet on a circuit different from that to which the receiver is connected.
- Consult the dealer or an experienced radio/TV technician for help.

Works with Apple AirPlay:

Use of the Works with Apple badge means that an accessory has been designed to work specifically with the technology identified in the badge and has been certified by the developer to meet Apple performance standards.

Apple, AirPlay, Apple Logo, Apple Home, Apple TV, HomePod, HomePod mini, iPad, iPad Air, and iPhone are trademarks of Apple Inc., registered in the U.S. and other countries and regions. App Store is a service mark of Apple inc., registered in the U.S. and other countries.

To use AirPlay with LP10 the latest version of iOS, iPadOS or macOS is recommended

Google Cast:

Google Cast is a trademark of Google LLC.

This device contains licence-exempt transmitter(s)/receiver(s) that comply with Innovation, Science and Economic Development (ISED) Canada's licence-exempt RSS(s). Operation is subject to the following two conditions: (1) this device may not cause interference, and (2) this device must accept any interference, including interference that may cause undesired operation of the device.

The device has been evaluated to meet general RF exposure requirement.

The distance between user and products should be no less than 20cm.

Cet appareil contient des émetteurs/récepteurs exemptés de licence qui sont conformes aux flux RSS exempts de licence du Canada pour l'innovation, la Science et le développement économique (ISDE).

Le fonctionnement est soumis aux deux conditions suivantes: (1) ce dispositif ne peut pas causer d'interférence, et (2) ce dispositif doit accepter toute interférence, y compris les interférences pouvant causer un fonctionnement indésirable du dispositif.

L'appareil a été évalué pour répondre aux exigences générales d'exposition aux RF.

la distance entre l'utilisateur et les produits devraient être au moins 20 cm.

Scan the QR codes below for more

Support and After Service : info@arylic.com



www.arylic.com



GO CONTROL APP



Facebook: arylicme



YouTube:Arylic



@Copyright 2025 by Arylic. All Rights Reserved.

The information contained in this guide is believed to be accurate and reliable. Arylic assumes no responsibility for any errors contained in this guide. Arylic reserves the rights to make changes in the specifications and/or design of the above mentioned product without prior notice. The diagrams contained in this guide may also not fully represent the product that you are using and they are for illustration purposes. Arylic assumes no responsibility for any differences between the product mentioned in this guide and the product you may have.